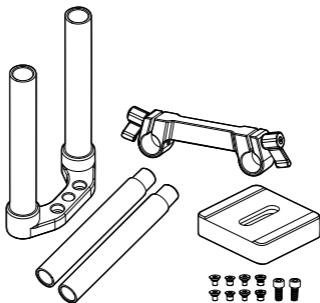


# DJI FOCUS

## ACCESSORY SUPPORT FRAME

Quick Start Guide (V1.0)

2016.03



## Disclaimer and Warning

Congratulations on purchasing your new DJI product. The information in this document affects your safety and your legal rights and responsibilities. Read this entire document carefully to ensure proper configuration before use. Failure to read and follow instructions and warnings in this document may result in serious injury to yourself or others, or damage to your DJI product or damage to other objects in the vicinity. This document and all other collateral documents are subject to change at the sole discretion of DJI. For up-to-date product information, visit <http://www.dji.com> and click on the product page for this product.

By using this product, you hereby signify that you have read this disclaimer and warning carefully and that you understand and agree to abide by the terms and conditions herein. You agree that you are solely responsible for your own conduct while using this product, and for any consequences thereof. You agree to use this product only for purposes that are proper and in accordance with all applicable laws, rules, and regulations, and all terms, precautions, practices, policies and guidelines DJI has made and may make available.

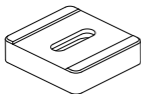
DJI accepts no liability for damage, injury or any legal responsibility incurred directly or indirectly from the use of this product. The user shall observe safe and lawful practices including, but not limited to, those set forth in this document.

## Introduction

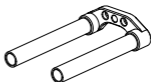
The DJI Focus Accessory Support Frame allows the motor to be mounted against the camera lens gear ring. Its unique design enables more precise control of the camera lens for undersized cameras.

## In the Box

Camera Riser x1



Extension Rod Kit x1



Accessory Mount x2



Screw x2



Extension Rod x2



Accessories Package

Camera Screw A (1/4") x2



Camera Screw B (3/8") x2



Camera Screw C (1/4") x2

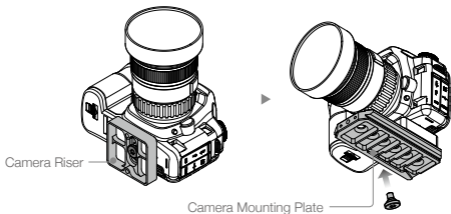


Camera Screw D (3/8") x2

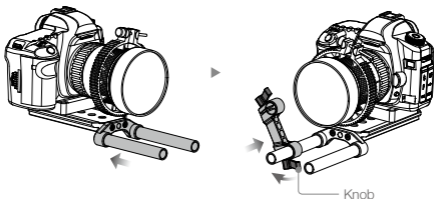


## Installation

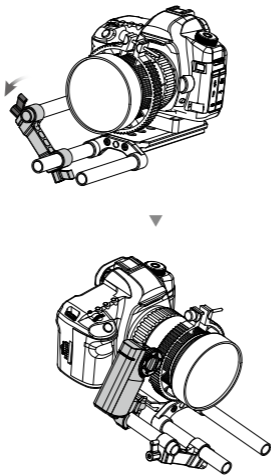
1. Mount the camera riser if necessary. Choose camera screws that meet the specifications of the camera.
2. Attach the camera mounting plate to the camera riser and tighten the camera screws.



3. Attach the extension rod kit to the camera mounting plate and tighten the screw.
4. Slide the accessory mount onto the extension rod, adjust it to the desired position and then tighten the knob.



5. Install a third extension rod if necessary.
6. Mount the DJI Focus motor. Adjust its position so that it makes good contact with the camera lens gear ring.



Ensure the whole structure is securely held in place.

DJI Support

<http://www.dji.com/support>

This content is subject to change.

Download the latest version from

<http://www.dji.com/product/focus>

Download the latest version from [DocSupport@dji.com](mailto:DocSupport@dji.com).